

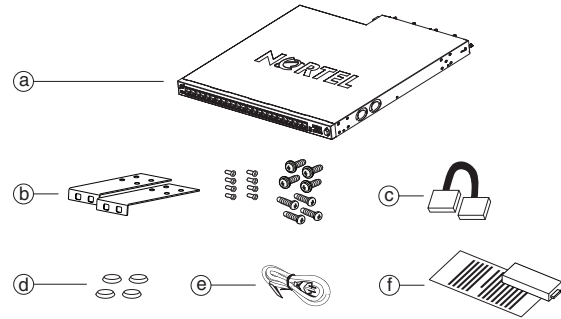
Ethernet Routing Switch 5600 Series

Quick Install Guide

You can download all documents referenced in this Quick Installation Guide at www.nortel.com.

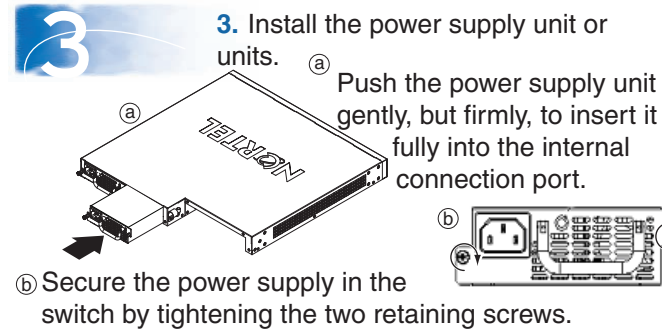
Steps 1 → 3 Before you start

1. Confirm that you have the following tools and package contents:
- Phillips #2 screwdriver

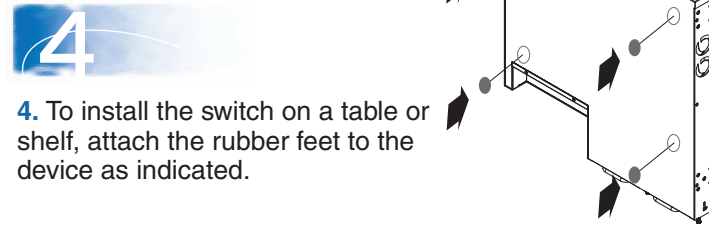


- Ethernet Routing Switch 5600 Series switch (a)
- Rack-mounting hardware (b)
 - Rack-mount brackets
 - Screws for attaching brackets to the switch
 - Screws for attaching the switch to the equipment rack—choose the appropriate rack-mount screws for attaching the switch to your rack.
- Stacking cable (c)
- Four adhesive foot pads (d)
- Country-specific AC power cord or DC adapter (e)
- Power supply unit and related documentation (f)

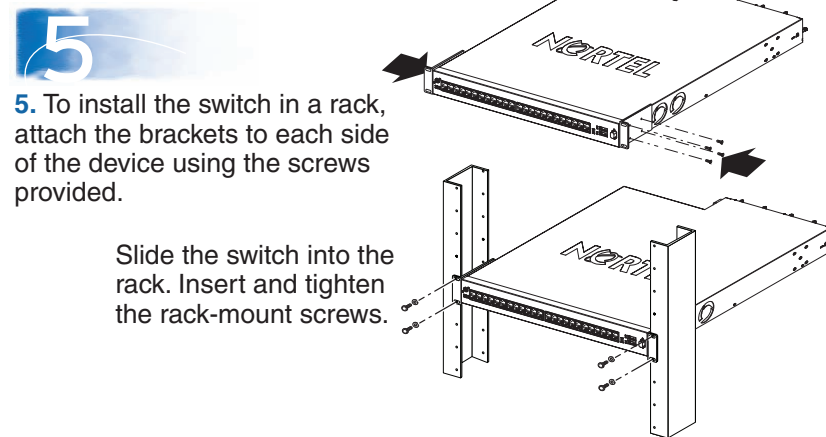
2. Prepare the rack (if you plan to rack-mount the switch):
- A 5650 model requires 1U, a 5632 model requires 1.5U, and a 5698 model requires 2U of vertical space for each switch in an EIA or IEC-standard equipment rack.
 - Bolt the rack to the floor and brace it, if necessary.
 - Ground the rack to the grounding electrode used by the power service in the area. The ground path must be permanent and must not exceed 1 Ohm of resistance from the rack to the grounding electrode. Nortel recommends using a filter or surge suppressor.



Steps 4 → 6 Mounting Options



Set the device on a flat surface near an AC power source, making sure there are at least 2 inches (5.1 cm) of space on all sides for proper air flow and at least 5 inches (12.7 cm) at the back for power cord clearance.

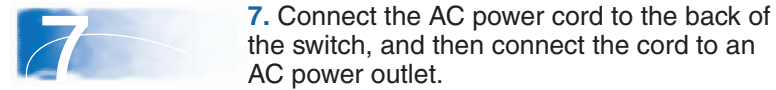


Note: One 5600 Series switch weighs as much as 33 lbs (15 kg). Nortel recommends that two people lift and install a 5600 Series switch.

6. For detailed instructions that describe how to install the Ethernet Routing Switch 5600 Series, see *Nortel Ethernet Routing Switch 5000 Series Installation* (NN47200-300).

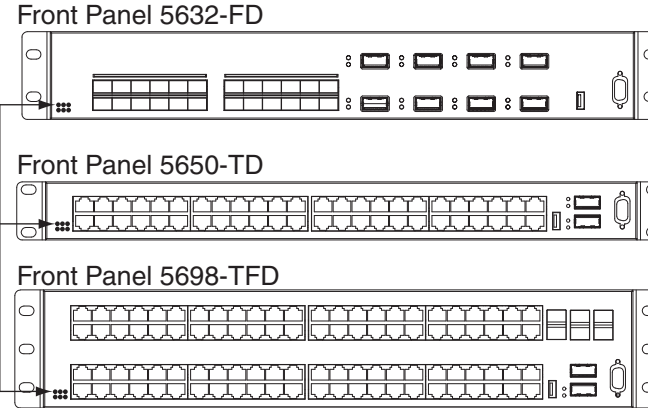
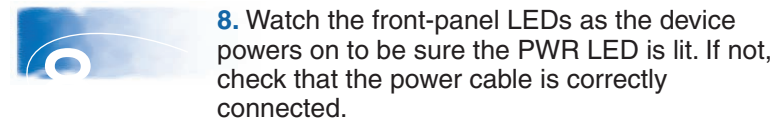


Steps 7 → 8 Powering Up



For DC power supply units, ensure your DC power source is switched off. Plug the DC adapter into the power supply unit. Connect the DC leads to the adapter terminal block. Tighten the screws on the top of the adapter to secure the DC leads. Attach the opposite ends of the leads to a –48 V DC power source.

Warning: You must use a line cord set approved for the 5600 Series switch and the receptacle type in your country. Ensure you have properly grounded the switch before powering up the unit.



You must start the switch, and the operating system must successfully and completely load, before devices connected to the switch can send and receive data.

Step 9 Setting IP Parameters

9. To set IP parameters using the console port and the console menu, you must connect a terminal to the console port of the switch. Any terminal or PC with an appropriate terminal emulator can be used as the management station.

The following table lists the parameters that must be used with any terminal emulation software you use to connect to the switch.

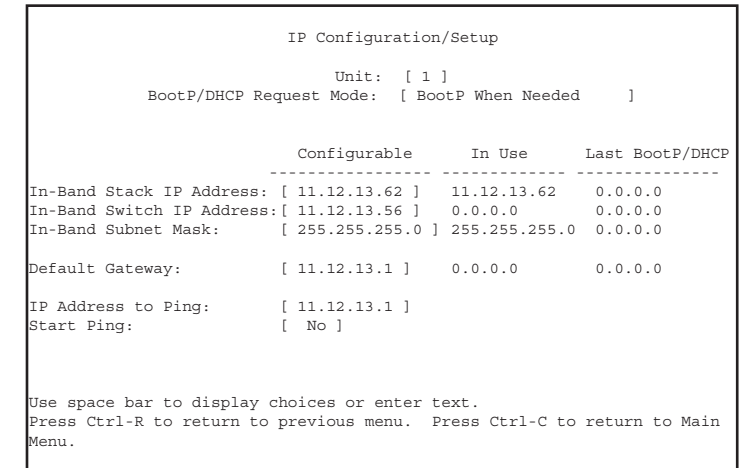
Terminal emulation settings	
Property	Value
Baud Rate	9600 bps
Data Bits	8
Stop Bits	1
Parity	None
Flow Control	None

To connect the terminal to the switch console port, you require a console cable and connector to match the male DTE connector (DB-9) on the switch.

Set the terminal protocol on the terminal or terminal emulation program to VT100 and VT100/ANSI.

Connect to the switch using the terminal or terminal emulation application.

Use the console menu to quickly configure initial parameters on the switch (for example, the IP address). The following figure shows the console menu **IP Configuration/Setup...** screen.



You are now ready to use the 5600 Series switch in your network installation.

